

712-032

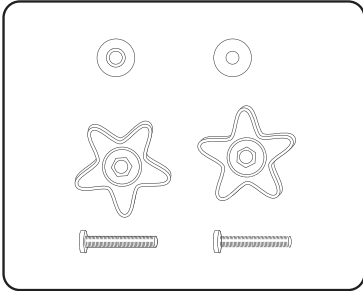
EN C00000

WHEELCHAIR ROLLATOR

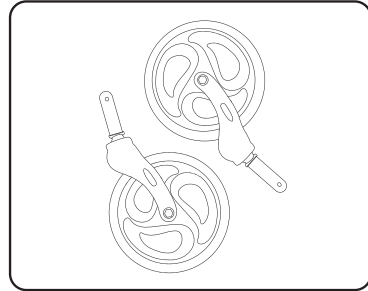


PART LIST

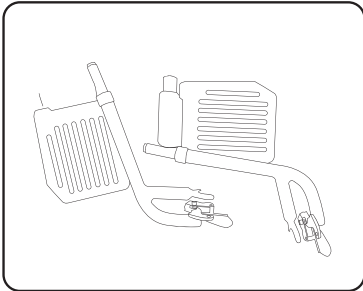
Screws, Star Bolts, Washers



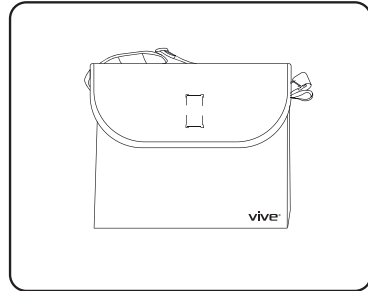
Front Wheels



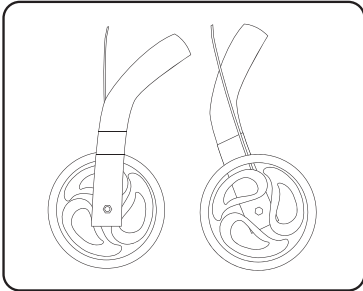
Footrests



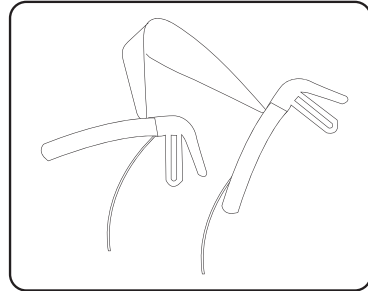
Bag



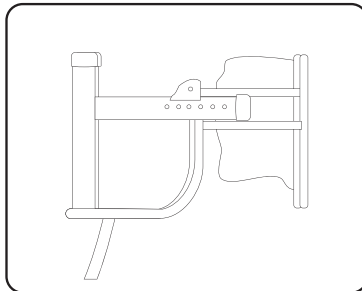
Rear Wheels



Adjustable Handles



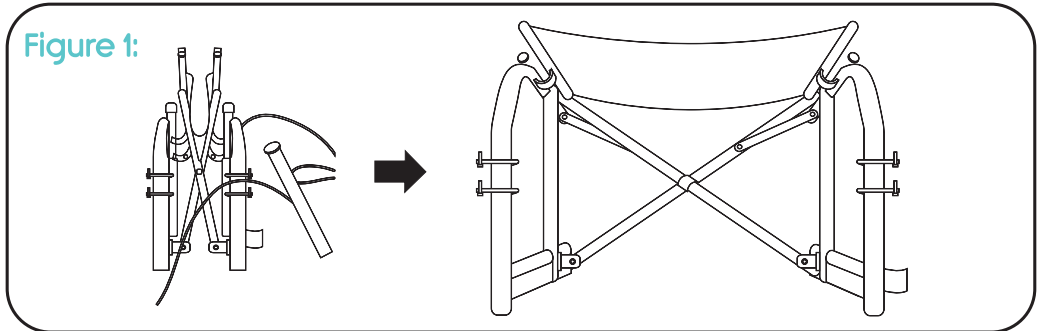
Frame



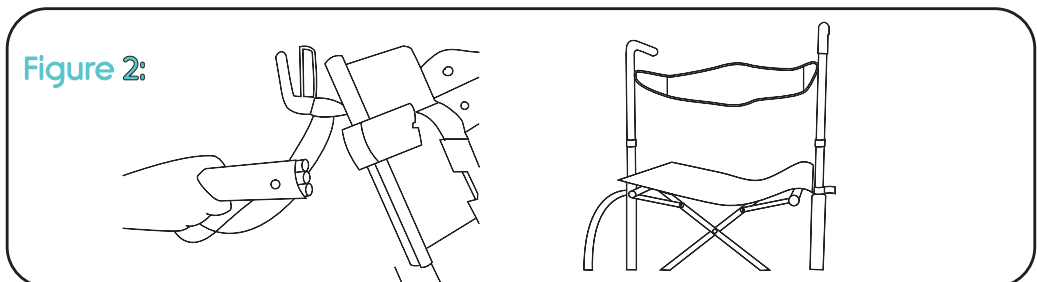
HOW TO ASSEMBLE

No tools Required 

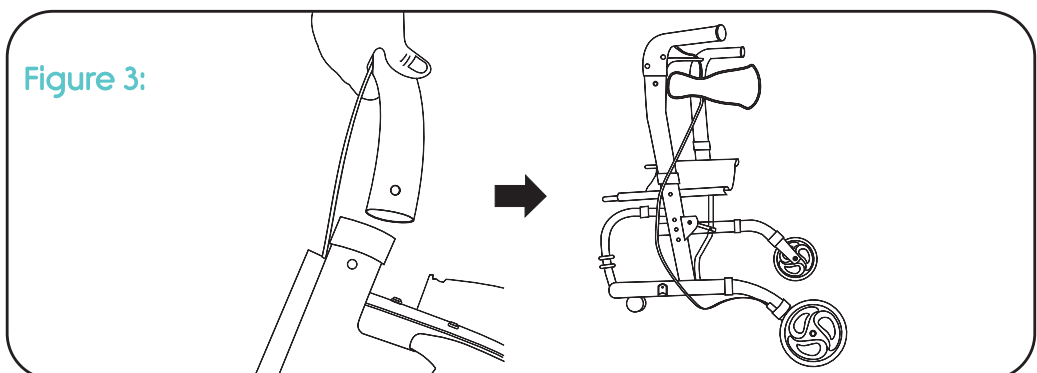
1. Open up the main frame so the seat has locked into position.



2. Insert the two height adjustable handle sections into the main frame. Make sure snap button is securely locked into your preferred position.



3. Insert the two rear wheels into the main frame. Make sure snap button is securely locked into your preferred position.



4. Insert the two front wheels into main frame. See figure 4.
5. Be sure the holes are aligned. See figure 5.
6. Insert screw in holes so that the "Star Bolts" are oriented on the outside of the Wheelchair/Rollator. See figure 6.

Figure 4:

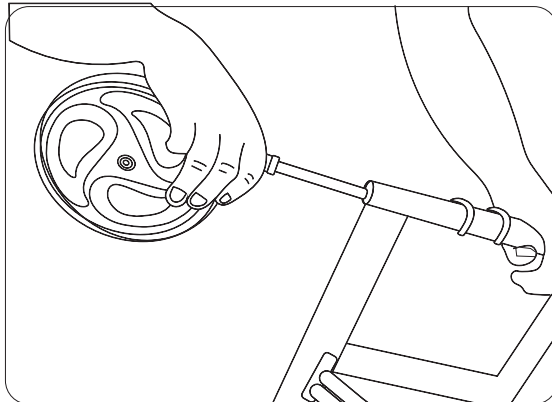


Figure 5:

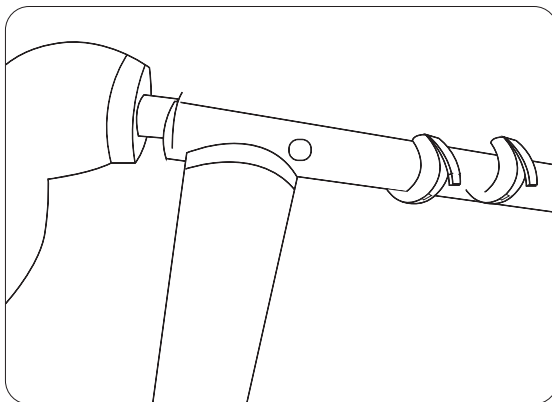
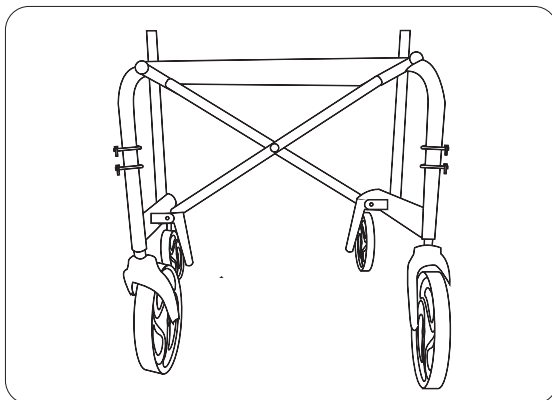
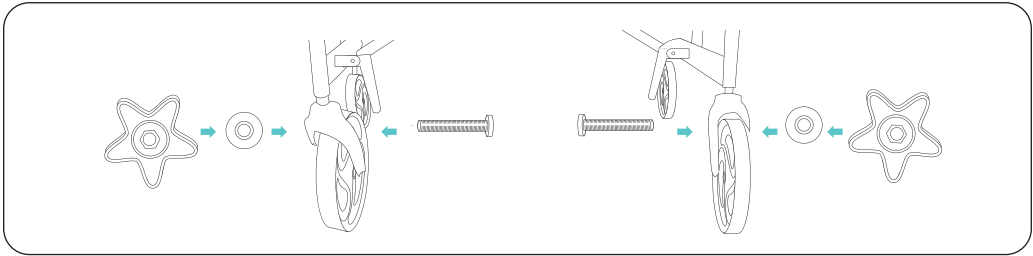
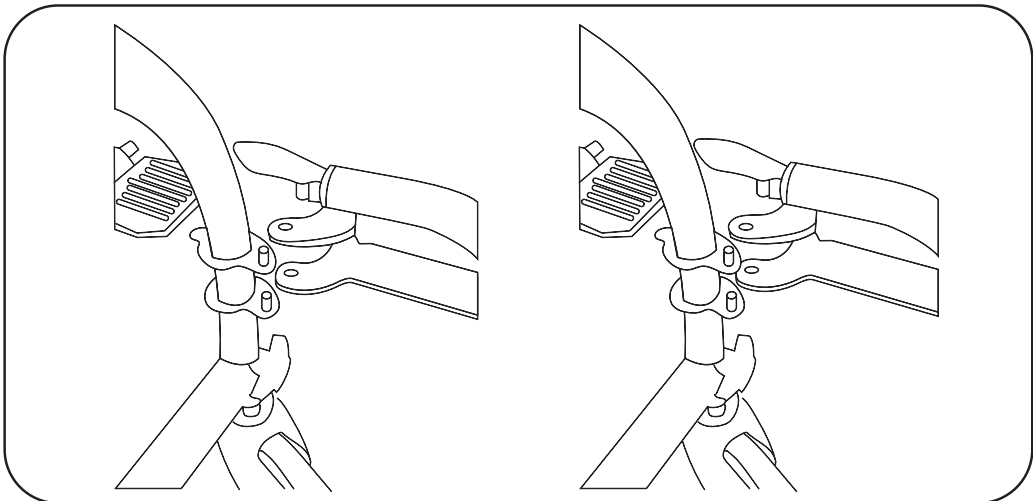
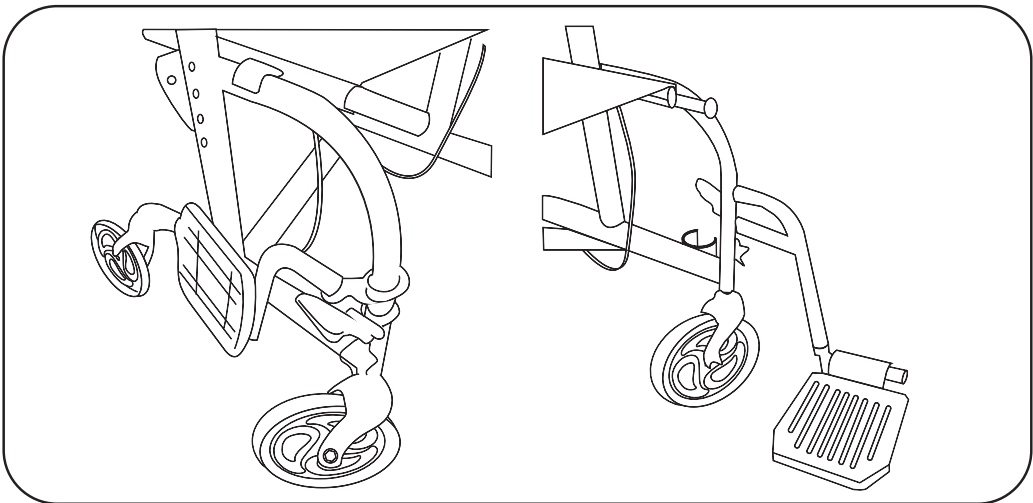


Figure 6:



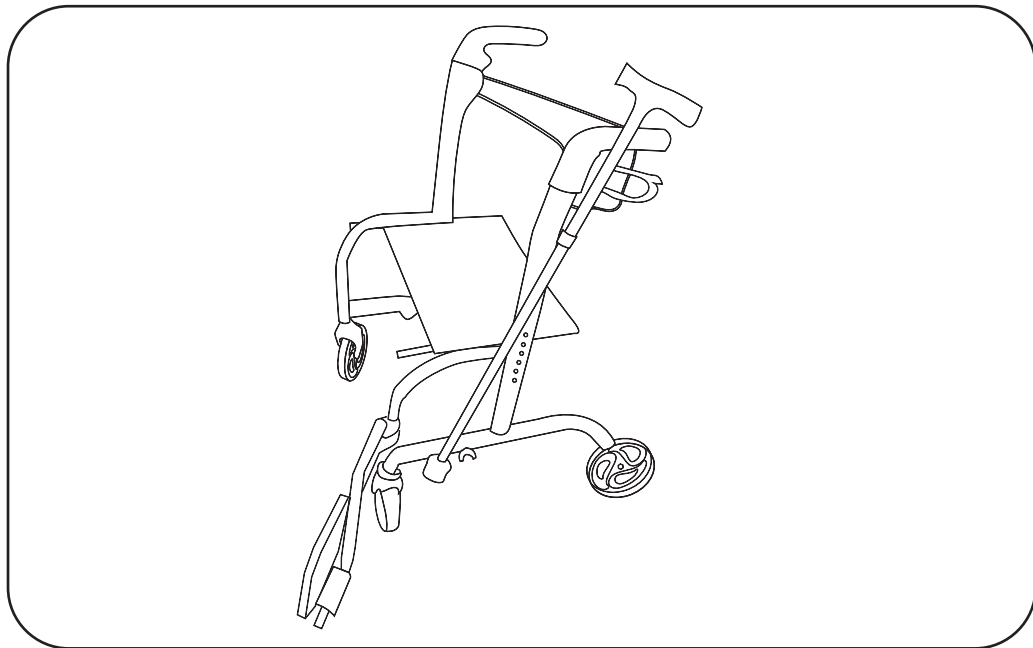


7. Attach the footrests provided onto the front of the frame. Attached optional bag using velcro strap and the assembly is complete.

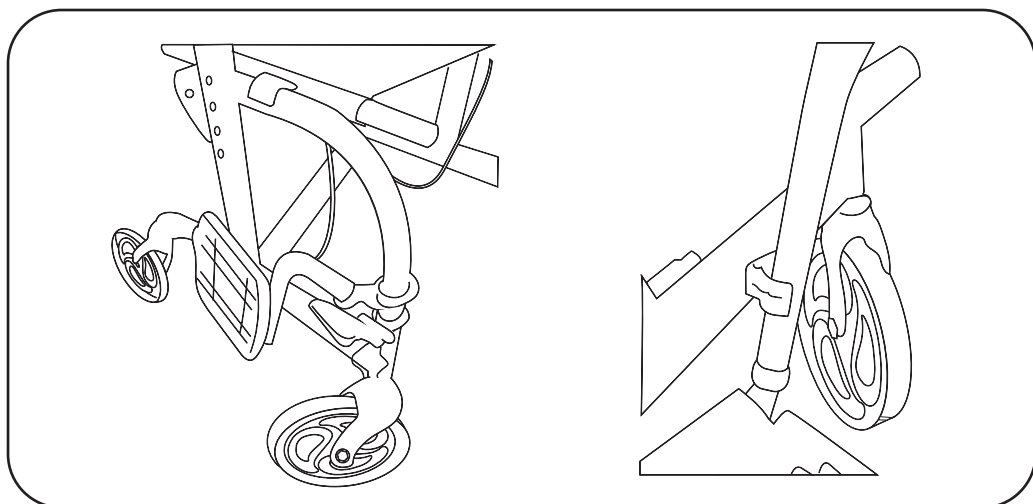


USING THE CANE HOLDER

Use the cane holder strap to keep the cane in place.



LOCKING THE FOOTREST IN PLACE



US



001-877-644-9366
customerservice@aosom.com

CA



001-855-537-6088
customerservice@aosom.ca

UK



0044-800-240-4004
enquiries@mhstar.co.uk

DE



0049-(0)40-88307530
service@aosom.de

FR



0033-1-84166106
contact@aosom.fr

ES



0034-931294512
atencioncliente@aosom.es

IT



0039-0249471447
clienti@aosom.it